

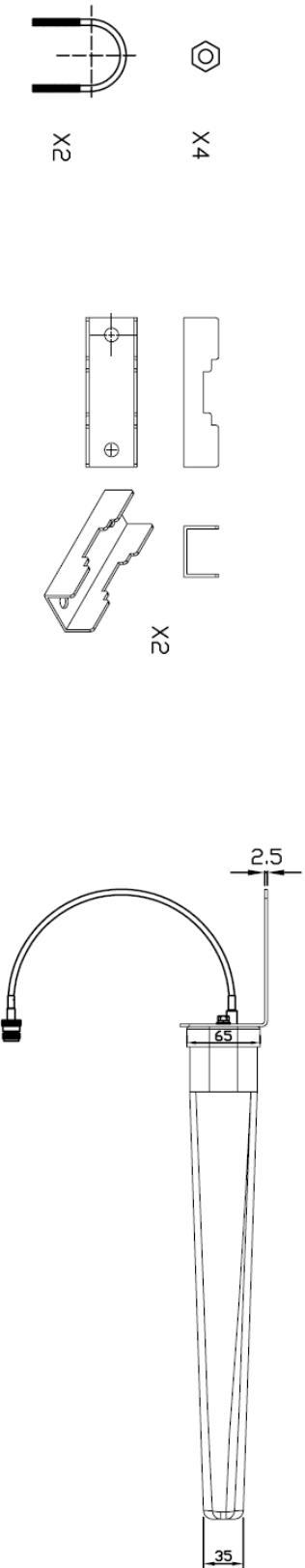
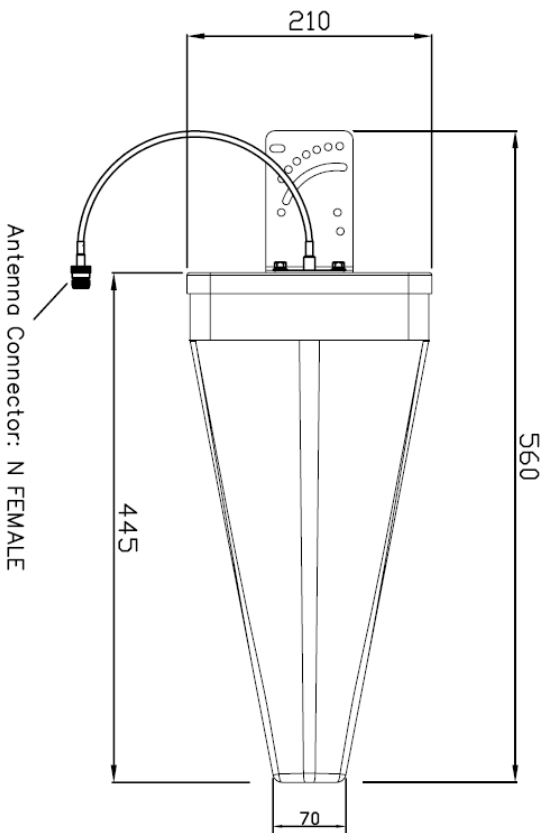
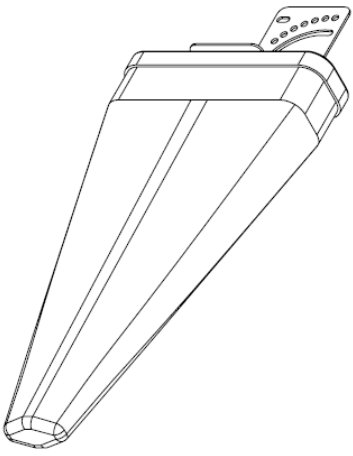
700-2700MHz 11dBi N(F) Yagi Antenna



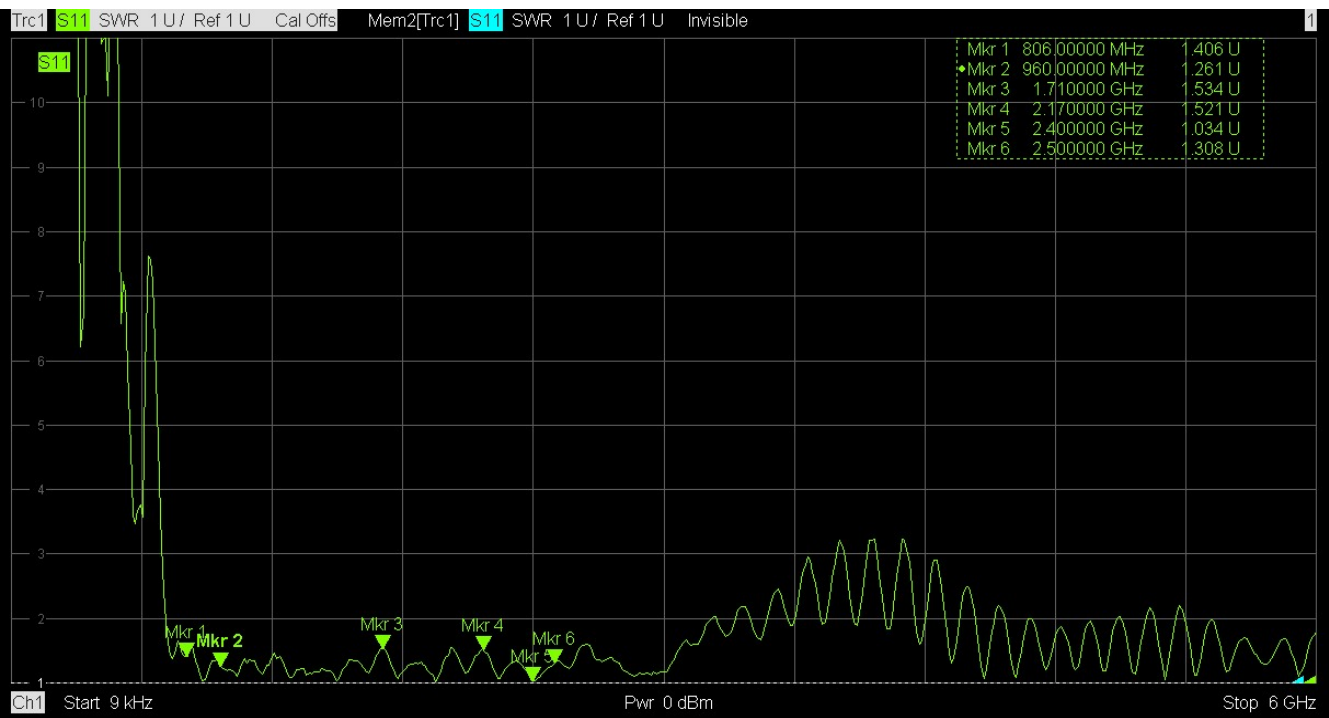
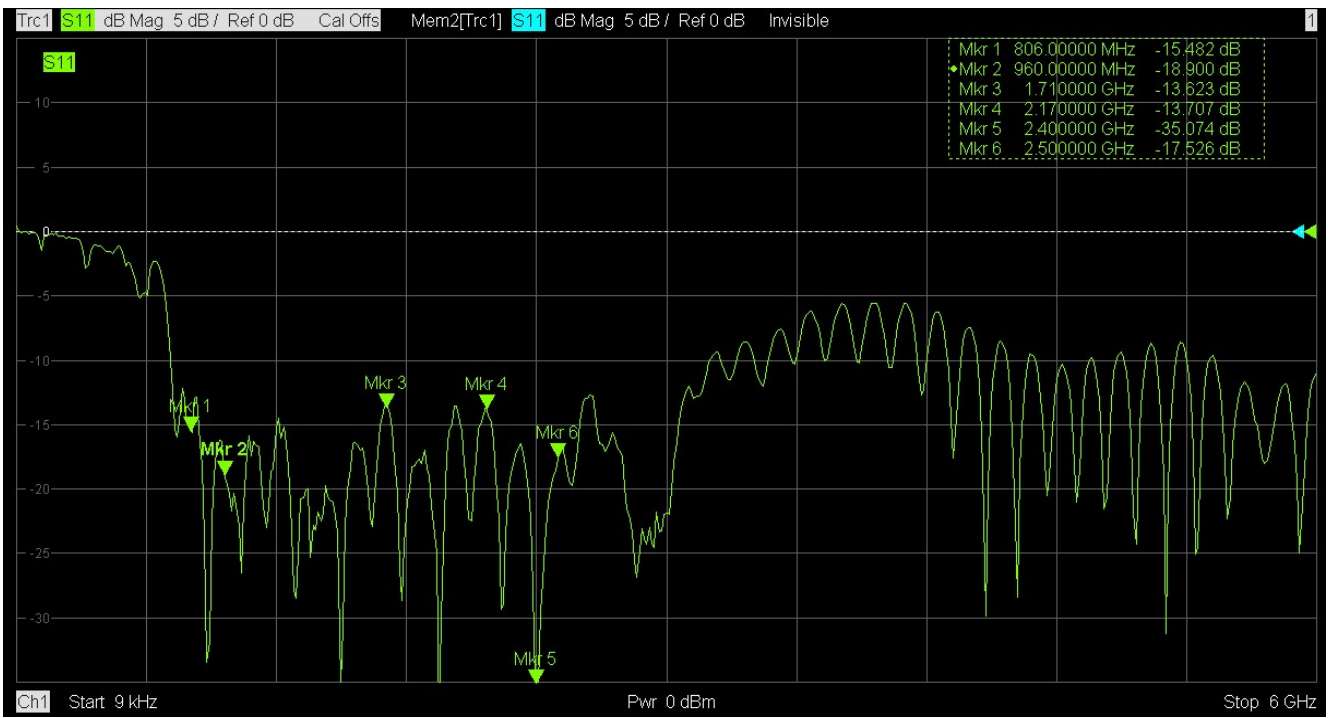
Specifications/Special Features :

This antenna is designed for wireless GSM
UMTS / WIFI / WCDMA/LTE communications

Specification	
Model No.	RFS0727-DR11
Antenna Type	YAGI
Frequency	700 - 2700MHz
Gain (dBi)	11 dBi
VSWR	≤ 1.6
Beam width deg.	Horz.50-65° Vert.40-50°
Polarization	Vertical
Impedance	50 Ω
Max. Power	50 W
Antenna Connector	N Female
Lightning protection	DC grounded
Size	L445Xw210xH65 mm



1	FREQUENCY RANGE :	8	Dimensions : L445XW210XH65mm
2	GAIN : 11 dBi	9	
3	VSWR : < 1,6 : 1	10	
4	IMPEDANCE : 50 Ω	11	
5	POLARIZATION : LINEAR VERTICAL	12	
6	Antenna Connector : N FEMALE	13	
7	Maximum Power : 50W		



H-PLANE

E-PLANE

