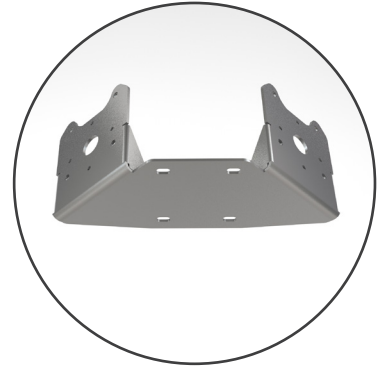
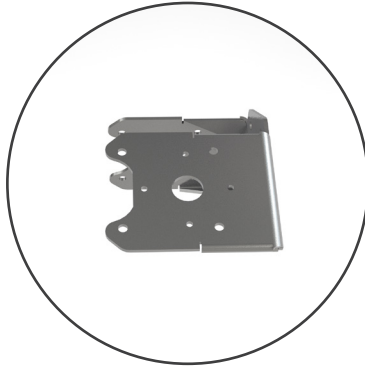


BRACKET | BRKT-033

BRKT-033

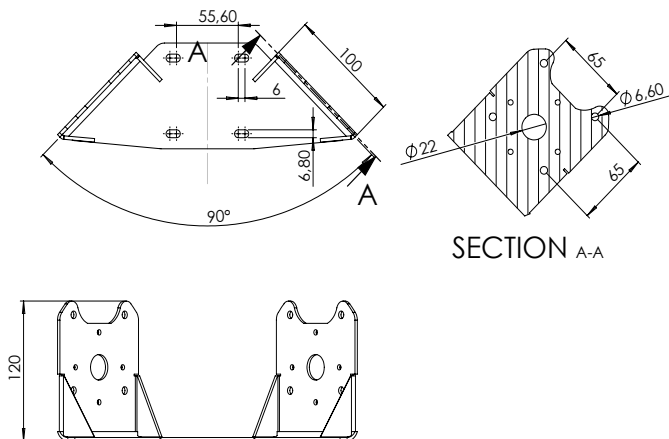
±45° POLARISATION BRACKET FOR LPDA-92 AND OMNI-69



Ordering Information

Commercial name:	BRKT-033
Order Product Code:	A-BRKT-033
EAN Number:	0707273469359

Product Drawing



Contact Poynting

Poynting Antennas (Pty) Ltd - Head Office

Unit 4, N1 Industrial Park
 Landmarks Avenue,
 Samrand, 0157
 South Africa

Phone: +27 (0) 12 657 0050

E-mail: sales@poynting.co.za

Mechanical Specifications

Product Dimensions (LxW):	414 x 166mm
Packaged Dimensions (Polybag):	425 x 175mm
Weight:	0.990kg
Packaged Weight:	1.005kg
Material:	3mm Galvanised Mild Steel
Process:	Laser cut, bend & weld
Surface finish:	Brushed

Product Box Contents

Product:	A-BRKT-033
M6 Washers (SS):	16
M6 Nuts (SS):	8
M6 x 30 Hexagonal Bolts (SS):	8

Certification Approvals and Standards

Flammability rating:	UL:1581
Salt spray:	MIL-STD810F/ASTM B117
Product Safety:	Complies with UL, CE, EN, CSA and IEC standards



Poynting Europe

Regus Business Center Neue Messe Riem
 Kronstadter Straße 4
 81677 München
 Germany

Phone: +49 89 208026538

E-mail: sales-europe@poynting.tech