

THE FASTEST
CONNECTION
IS HERE



4G

4G LTE OMNI Directional Antenna

WG-UMB-OM-90S-KIT



Frequency: 700~2700MHZ

Gain: 4dBi

V.S.W.R: <2:1

Impedance: 50 Ohm

Max. Power: 100W

Connector: SMA/M (Optional)

Polarization: Vertical

Cable: CFD 195 (Optional)

Material: ABS

Length: 111* 60 mm

Color: White

Mounting: L Type Mount

Weight: 1.02kgs

Temperature: -20°C to + 60°C

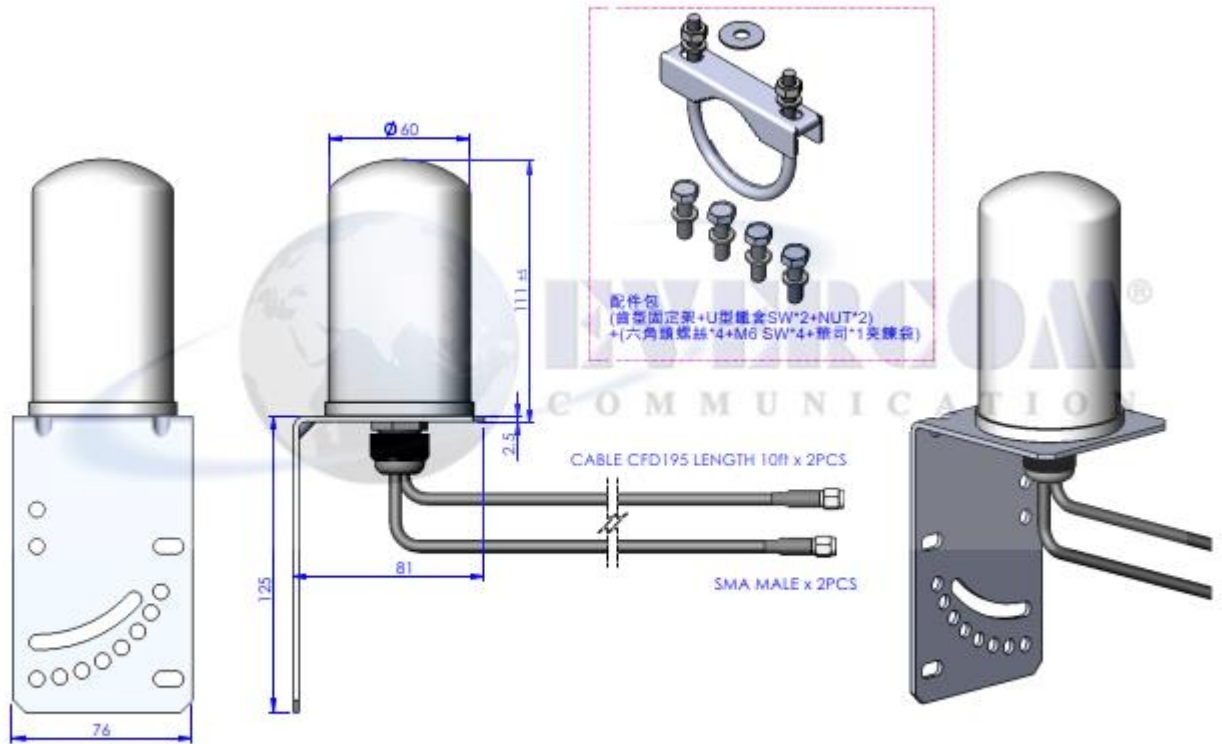
© 2018 EVERCOM COMMUNICAITON TECHNOLOGY CO., LTD.

No.108 Jiesin St. Taoyuan District Taoyuan City 33063, Taiwan R.O.C.

Tel: +886-3- 376- 5678 Fax: +886-3- 376- 5319 E-Mail: service@evercomtech.com



ISO 9001

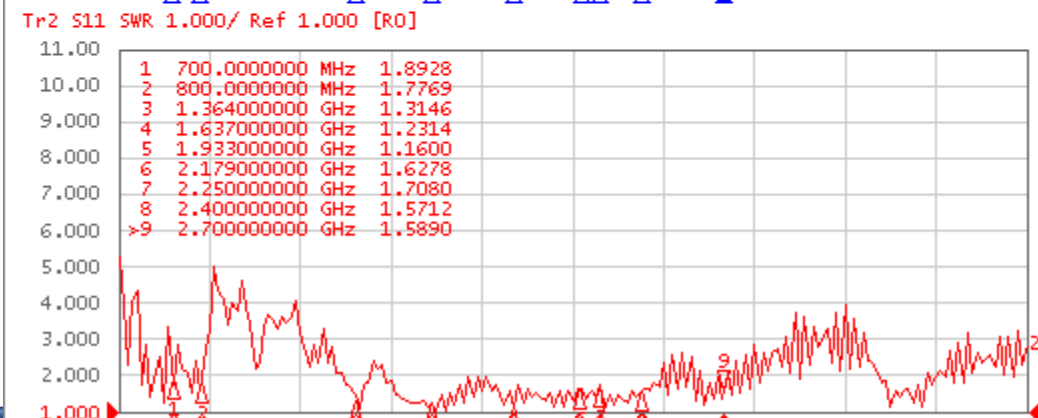
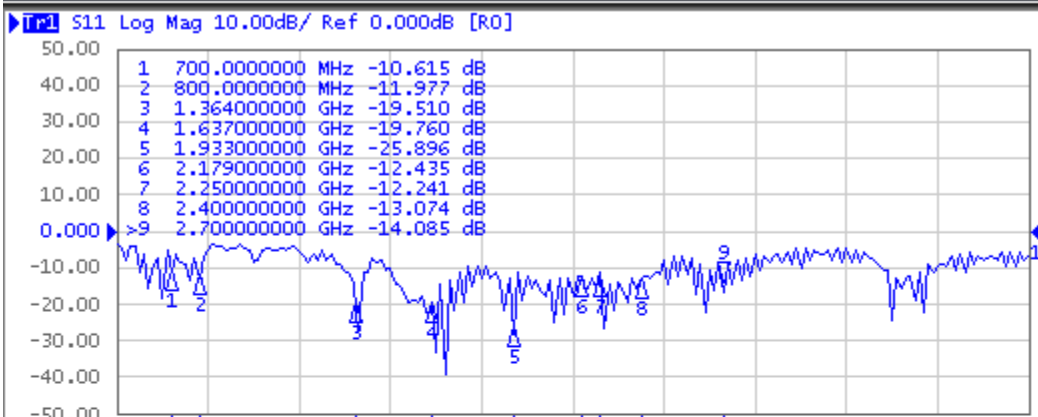


配件包
 (自帶固定架+U型鐵架SW*2+NUT*2)
 +(六角螺絲*4+M6 SW*4+帶可*1夾膠袋)



EVERCOM COMMUNICATION TECHNOLOGY CO., LTD			CHECKED BY	APPROVAL BY	DESIGNED BY	SCALE	UNIT
MODEL NAME	MODEL NO.	UMB-OM90S-KIT / 196SM3		<i>Ben</i>	W.C.W	1 : 2	mm
				20190507	2018.04.13		

1 Active Ch/Trace 2 Response 3 Stimulus 4 Mkr/Analysis 5 Instr State



System

Print

Abort Printing

Printer Setup...

Invert Image
ON

Dump Screen Image...

E5091A Setup

Misc Setup

Backlight
ON

Firmware Revision

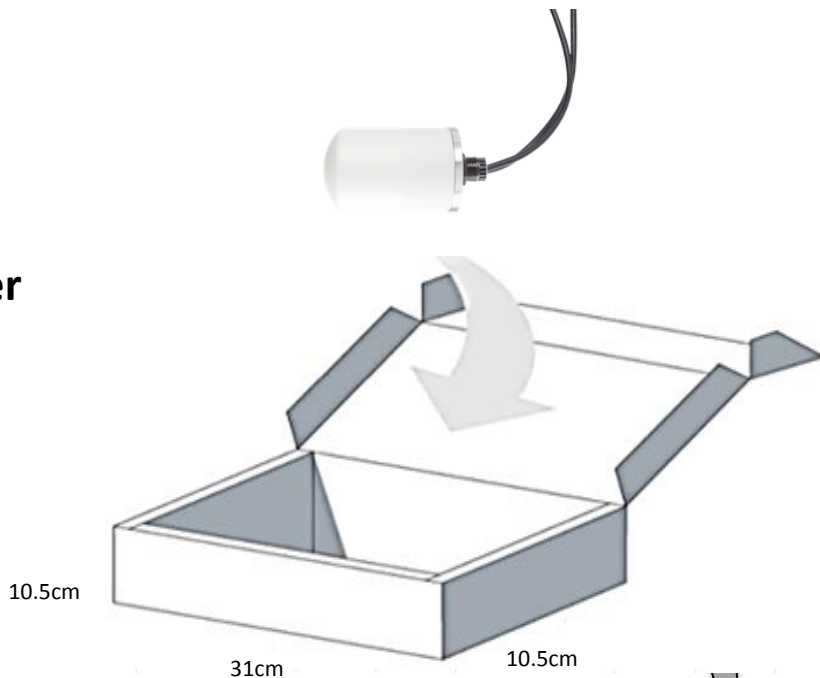
THE FASTEST
CONNECTION
IS HERE.



4G+

Packaging

Each antenna pack in a inner white box



20 PCS Per Carton
Carton Dimensions:56*32*46cm

